

Slam Latches

with and without Lock

SPECIFICATION

Types

- Type **SL**: Not lockable
- Type **SCL**: Lockable (same lock)
- Type **SUL**: Lockable (different lock)

Housing

- Zinc die casting
- Powder coated
- Black, RAL 9005, textured finish **SW**
- Silver, RAL 9006, textured finish **SR**

Covers and latch

- Black-gray for SW
- light gray for SR

Lock mechanism

Zinc die casting

Key

Steel, nickel plated

Other parts

Steel zinc plated, blue passivated



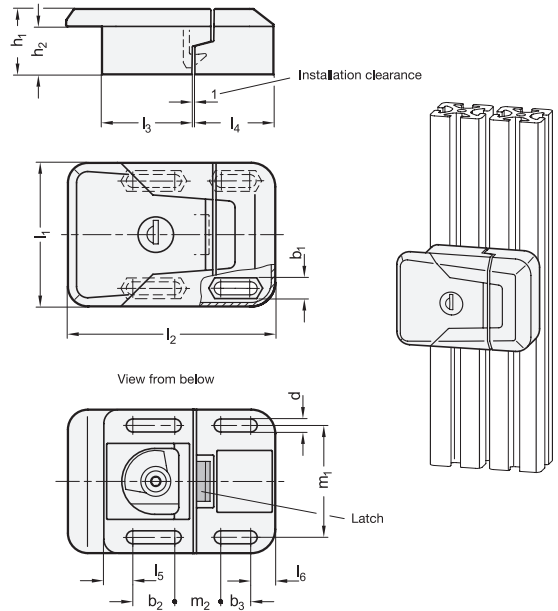
INFORMATION

Slam latches GN 936 enable doors and closures to be effortlessly closed. The latch engages automatically when the door is closed preventing the door from opening unintentionally.

The slots enable the slam latch to be fitted to **profile systems** with different cross-sections.

Types with a standard lock allow every lock to be opened with the same key. For the types with different lock, there are more than 200 different lock variants.

The lockable versions of the slam latches (SCL and SUL types) are each supplied with 2 keys. The key can be removed in both end positions.



GN 936-SL

Description	l ₁	b ₁	b ₂	b ₃	d	h ₁	h ₂	l ₂	l ₃	l ₄	l ₅	l ₆	m ₁	m ₂	△
GN 936-72-SL-SW	72	10.3	21	15	6.5	33	24	104	45	40	14.5	12.5	56	23	369
GN 936-72-SL-SR	72	10.3	21	15	6.5	33	24	104	45	40	14.5	12.5	56	23	369

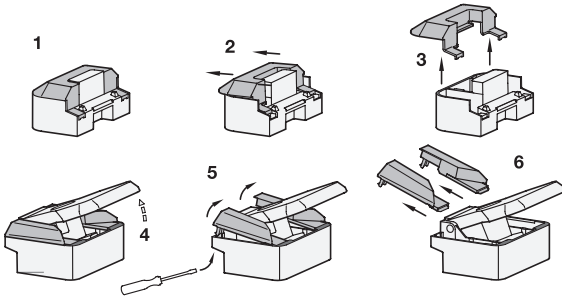
GN 936-SCL

Description	l ₁	b ₁	b ₂	b ₃	d	h ₁	h ₂	l ₂	l ₃	l ₄	l ₅	l ₆	m ₁	m ₂	△
GN 936-72-SCL-SW	72	10.3	21	15	6.5	33	24	104	45	40	14.5	12.5	56	23	416
GN 936-72-SCL-SR	72	10.3	21	15	6.5	33	24	104	45	40	14.5	12.5	56	23	416

GN 936-SUL

Description	l ₁	b ₁	b ₂	b ₃	d	h ₁	h ₂	l ₂	l ₃	l ₄	l ₅	l ₆	m ₁	m ₂	△
GN 936-72-SUL-SW	72	10.3	21	15	6.5	33	24	104	45	40	14.5	12.5	56	23	418
GN 936-72-SUL-SR	72	10.3	21	15	6.5	33	24	104	45	40	14.5	12.5	56	23	418

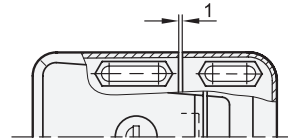
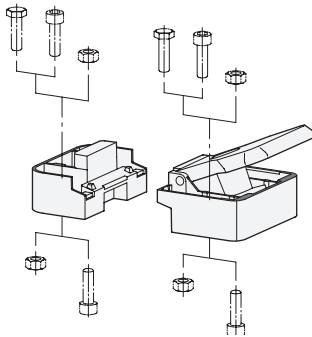
ASSEMBLY INSTRUCTIONS



Prior to installation remove the slam latch cover as shown in the sketch. Socket head cap screws DIN 912, hex head screws DIN 933 and hex nuts ISO 4032 each with thread size M 6 can be used for mounting the slam latch.

After installation the covers are reassembled in reverse order. The covers cannot be removed when the slam latch is closed and consequently protect against vandalism.

The slots allow the slam latch to be fitted to the door frame or profile systems both from the operating side and from the rear. The installation clearance of 1 mm is also easy to adjust.



EXAMPLE OF APPLICATION

